

KG7S (A and K Series)

High Efficiency Upflow/Horizontal and Downflow Gas Furnaces

Induced Draft - 80+ AFUE
Input 45,000 - 126,000 Btuh

The high efficiency gas furnace may be installed free standing in a utility room, basement, or enclosed in an alcove or closet. The rounded corner jacket provides a pleasing "appliance appearance." Design certified by CSA for application in the United States and Canada.



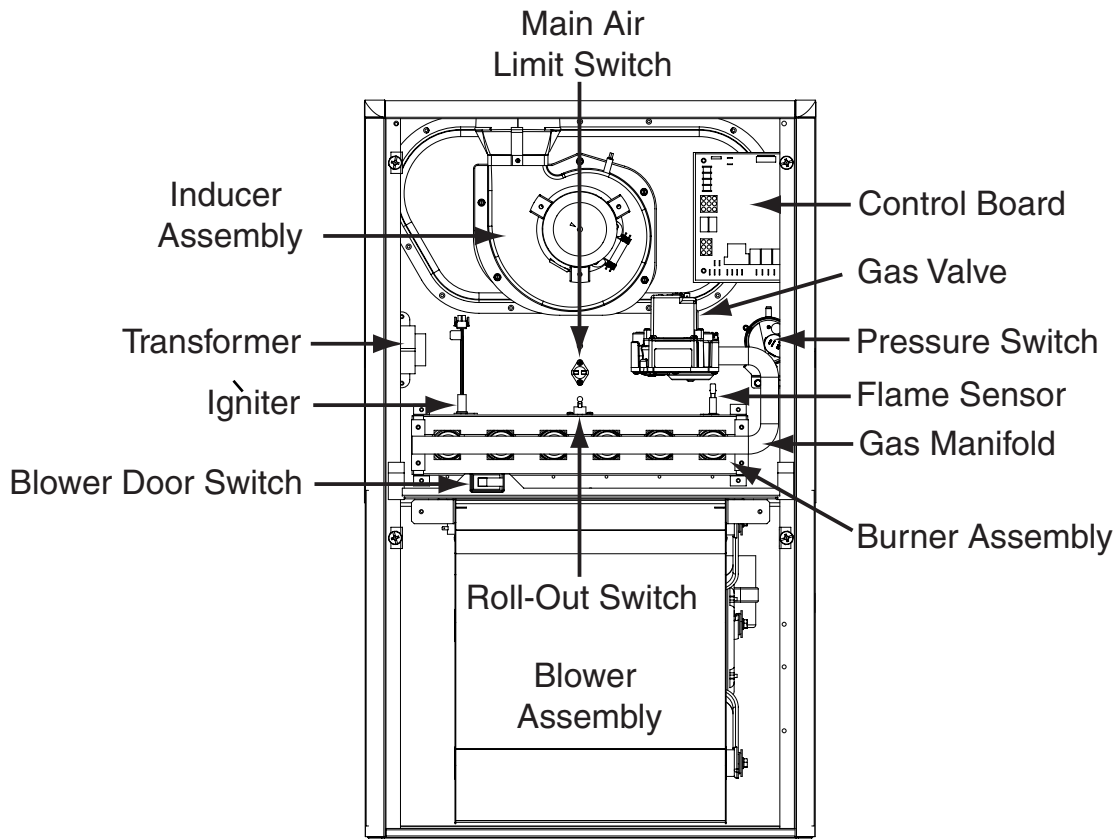
WARRANTY

- 10-year all-parts warranty.
- 1 Year Quality Pledge to replace the unit if the heat exchanger fails within the first year of operation, to the original owner.
- Consumer product registration required for 10 year All Parts Warranty and Quality Pledge within a limited period of time after the installation. See current warranty document or visit our consumer web site listed on the back of this document for warranty details.
- When registered, this product is upgraded to a limited lifetime heat exchanger warranty.

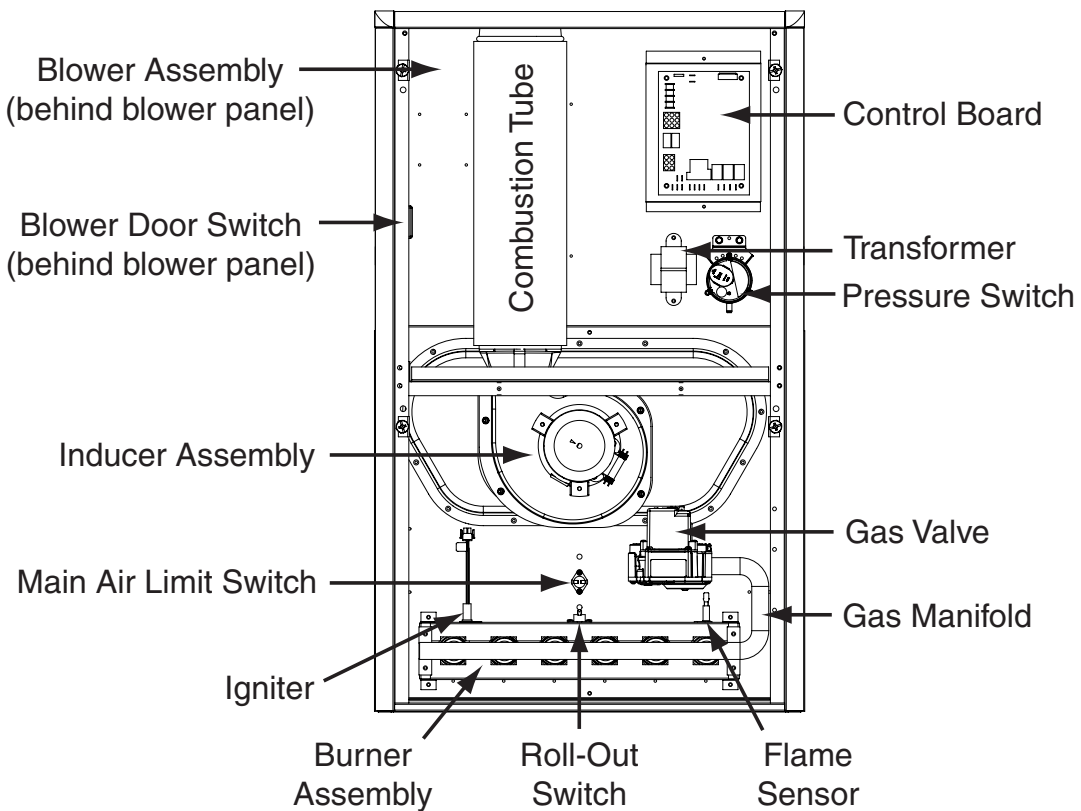
FEATURES and BENEFITS

- **100% fired and tested:** All units and each component are tested on the manufacturing line.
- **Best packaging in the industry:** Unique corner post design assures product will arrive to the homeowner dent free.
- **Low Boy Height:** Easy to apply in low ceiling applications, works well with taller high SEER coils, easier to handle and install.
- **Tubular primary heat exchanger:** Heavy gauge aluminized steel heat exchanger assures a long life.
- **30 second blower delay at start-up:** Assures a warm duct temperature at furnace start-up. Adjustable blower off settings (60, 90, 120 and 180 seconds).
- **30 second post purge:** Increases life of heat exchanger.
- **Hot surface ignitor:** Innovative application of an appliance type ignitor with a 20 year history of reliability. Utilizes proven Smartlite® technology.
- **Color coded wire harness:** Designed to fit the components, all with quick-connect fittings for ease of service and replacement.
- **High static blowers:** All models equipped with high static blowers.
- **90 second cooling cycle blower-off delay (TDR):** increases cooling performance when matched with a NORDYNE coil.
- **Flexible category I venting system:** May be vented with dedicated venting system or common vented with other category one appliances.
- **High efficiency blower kits:** Maximize efficiencies. On select units, a SEER improvement of up to 1 point is realized.
- **Multi-speed direct drive blower:** Designed to give a wide range of cooling capacities. Switches on PCB, provide ultra easy motor speed selection.
- **LP convertible:** Simple burner orifice and regulator spring change for ease of convertibility.
- **Diagnostic lights for easy troubleshooting without counting flashes:** Dedicated light for flame signal strength and 2 lights in combination to indicate all other fault codes with easy to recognize states without counting flashes.
- **Integrated control board:** Incorporates connections for electronic air cleaner and humidifier.
- **Two piece door design:** Enhances furnace appearance and uses captured screws to prevent losing door screws.

GAS FURNACE COMPONENTS

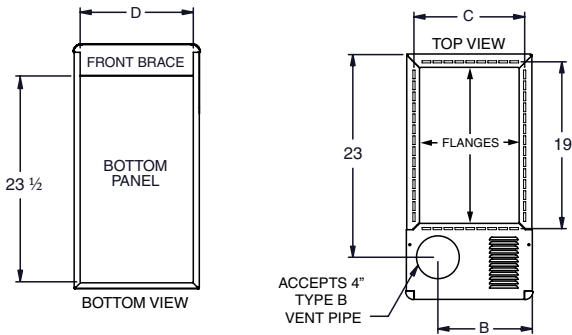


Upflow/Horizontal Gas Furnace

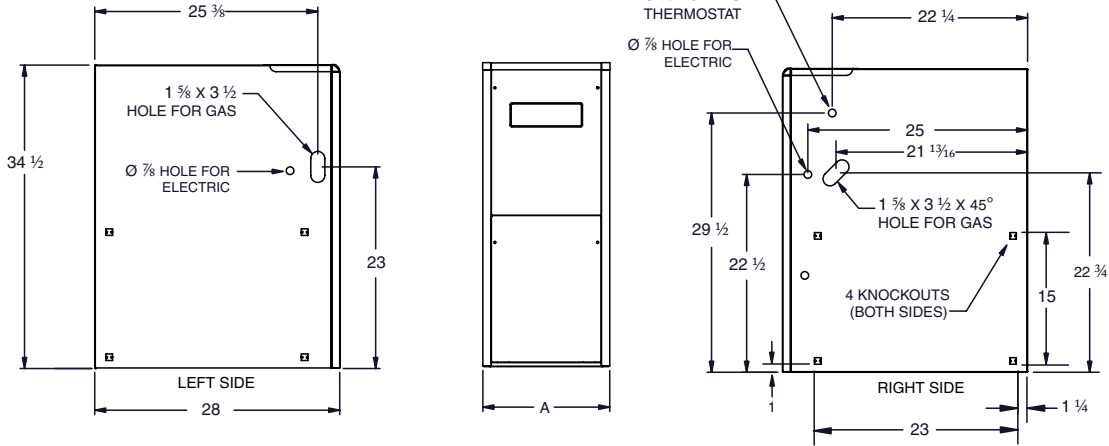


Downflow Gas Furnace

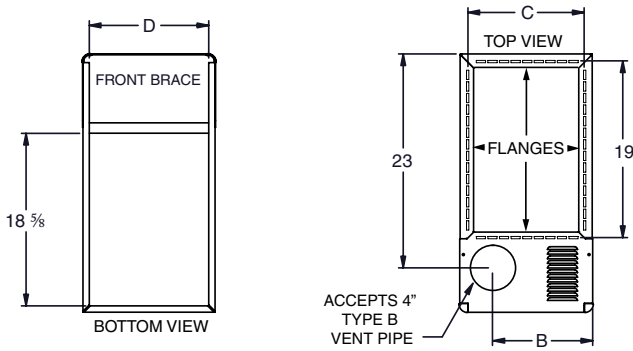
DIMENSIONS



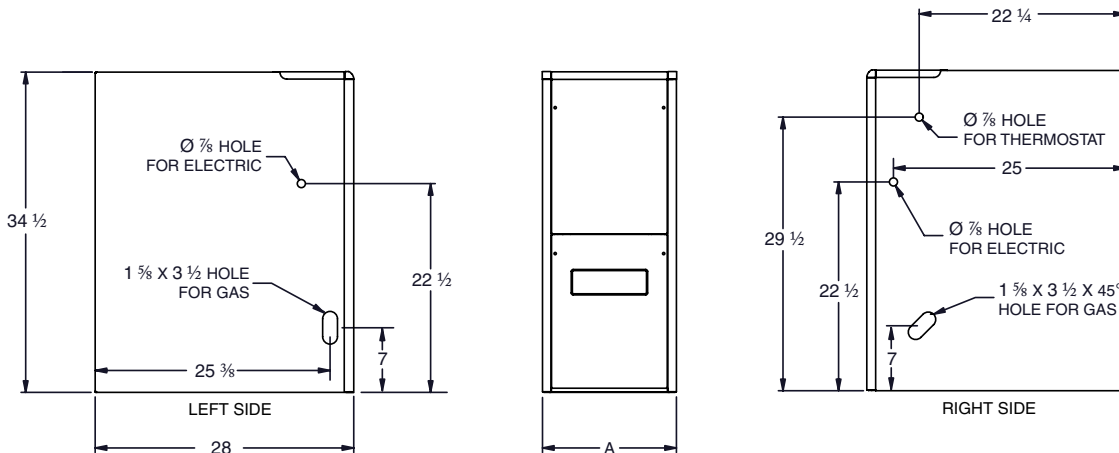
*SA Model #'s	Dimension "A"	Dimension "B"	Dimension "C"	Dimension "D"
045-23A	14 1/4	10 3/4	12 5/8	12 7/8
054-23A				
072-24B	17 1/2	11 3/4	15 7/8	16 1/8
090-24B				
072-35C				
090-35C	21	14	19 3/8	19 7/8
108-35C				
126-45D	24 1/2	15 1/4	22 7/8	23 1/8



KG7SA 80+ High Efficiency Upflow/Horizontal Series



*SK Model #'s	Dimension "A"	Dimension "B"	Dimension "C"	Dimension "D"
054-23A	14 1/4	10 3/4	12 5/8	12 7/8
072-24B	17 1/2	11 3/4	15 7/8	16 1/8
090-24B				
108-35C	21	14	19 3/8	19 5/8
126-45D	24 1/2	15 1/4	22 7/8	23 1/8



KG7SK 80+ High Efficiency Downflow Series

BLOWER PERFORMANCE - KG7SA

Model Number	Heating Input (Btuh)	Motor Speed	External Static Pressure (Inches Water Column)																	
			0.1		0.2		0.3		0.4		0.5		0.6		0.7		0.8			
			CFM	Rise	CFM	Rise	CFM	Rise	CFM	Rise	CFM	Rise	CFM	Rise	CFM	Rise	CFM	Rise		
SA045(-)-23A Bottom Return	45,000	High*	1260	26	1205	28	1145	29	1080	31	1025	33	960	35	890	37	825	40		
		Med-High	955	35	950	35	940	35	935	36	925	36	860	39	800	42	725	46		
		Med-Low** Low	825	40	800	42	760	44	730	46	690	48	650	51	600	56	530	63	435	77
SA045(-)-23A Side Return	45,000	High*	1350	25	1290	26	1225	27	1155	29	1100	30	1025	33	950	35	885	38		
		Med-High	1025	33	1015	33	1005	33	1000	33	990	34	920	36	855	39	775	43		
		Med-Low** Low	885	38	855	39	815	41	780	43	740	45	695	48	640	52	565	59	465	72
SA054(-)-23A Bottom Return	54,000	High*	1260	32	1205	33	1145	35	1080	37	1025	39	960	42	890	45	825	48		
		Med-High	955	42	950	42	940	43	935	43	925	43	860	47	800	50	725	55		
		Med-Low** Low	825	48	800	50	760	53	730	55	690	58	650	62	600	67	530	75	435	92
SA054(-)-23A Side Return	54,000	High*	1350	30	1290	31	1225	33	1155	35	1100	36	1025	39	950	42	885	45		
		Med-High	1025	39	1015	39	1005	40	1000	40	990	40	920	43	855	47	775	52		
		Med-Low** Low	885	45	855	47	815	49	780	51	740	54	695	58	640	63	565	71	465	86
SA072(-)-24B Bottom Return	72,000	High*	1685	32	1640	33	1605	33	1565	34	1515	35	1475	36	1415	38	1345	40		
		Med-High	1330	40	1295	41	1275	42	1245	43	1215	44	1185	45	1135	47	1070	50		
		Med-Low** Low	1175	45	1155	46	1125	47	1100	48	1075	50	1045	51	1010	53	955	56	740	72
SA072(-)-24B Side Return	72,000	High*	1770	30	1720	31	1685	32	1645	32	1590	34	1550	34	1485	36	1415	38		
		Med-High	1400	38	1360	39	1340	40	1310	41	1275	42	1245	43	1190	45	1125	47		
		Med-Low** Low	1235	43	1215	44	1180	45	1155	46	1130	47	1100	48	1060	50	1005	53	775	69
SA090(-)-24B Bottom Return	90,000	High*	1610	41	1575	42	1530	44	1485	45	1440	46	1385	48	1340	50	1275	52		
		Med-High**	1295	51	1260	53	1235	54	1220	55	1175	57	1135	59	1095	61	1015	66		
		Med-Low Low	1155	58	1130	59	1100	61	1070	62	1035	64	1015	66	965	69	920	72	660	101
SA090(-)-24B Side Return	90,000	High*	1690	39	1655	40	1610	41	1560	43	1510	44	1455	46	1405	47	1340	50		
		Med-High**	1360	49	1325	50	1300	51	1280	52	1235	54	1190	56	1150	58	1065	63		
		Med-Low Low	1215	55	1190	56	1155	58	1125	59	1090	61	1065	63	1015	66	965	69	695	96
SA072(-)-35C Bottom Return	72,000	High*	1950	27	1865	29	1790	30	1715	31	1630	33	1550	34	1475	36	1390	38		
		Med-High	1860	29	1780	30	1710	31	1635	33	1575	34	1500	36	1415	38	1325	40		
		Med-Low** Low	1300	41	1240	43	1200	44	1160	46	1120	48	1065	50	995	54	910	59	825	65
SA072(-)-35C Side Return	72,000	High*	2030	26	1940	27	1860	29	1785	30	1695	31	1615	33	1535	35	1445	37		
		Med-High	1935	28	1850	29	1780	30	1700	31	1630	33	1560	34	1470	36	1380	39		
		Med-Low** Low	1350	40	1290	41	1250	43	1205	44	1165	46	1110	48	1035	52	945	56	860	62

BLOWER PERFORMANCE - KG7SA Continued

Model Number	Heating Input (Btuh)	Motor Speed	External Static Pressure (Inches Water Column)																							
			0.1		0.2		0.3		0.4		0.5		0.6		0.7		0.8									
			CFM	Rise	CFM	Rise	CFM	Rise	CFM	Rise	CFM	Rise	CFM	Rise	CFM	Rise	CFM	Rise	CFM	Rise						
SA072()-35C Side + Bottom or 2 Sides	72,000	High*	2050	26	1960	27	1880	28	1800	30	1710	31	1630	33	1550	34	1460	37	1390	38						
		Med-High	1955	27	1870	29	1800	30	1715	31	1655	32	1575	34	1485	36	1390	38	1300	39						
		Med-Low**	1365	39	1300	41	1260	42	1220	44	1175	45	1120	48	1045	51	955	56	865	62						
		Low	1225	44	1170	46	1115	48	1075	50	1035	52	985	54	935	57	865	62								
SA090()-35C Bottom Return	90,000	High*	1940	34	1860	36	1790	37	1710	39	1625	41	1540	43	1450	46	1355	49	1280	52						
		Med-High**	1820	37	1760	38	1695	39	1620	41	1545	43	1466	45	1380	48	1280	52	1200	56						
		Med-Low	1290	52	1245	54	1200	56	1155	58	1110	60	1060	63	995	67	915	73	835	80						
		Low	1145	58	1110	60	1070	62	1035	64	1000	67	950	70	905	74	835	80								
SA090()-35C Side Return	90,000	High*	2020	33	1935	34	1860	36	1780	37	1690	39	1600	42	1510	44	1410	47	1330	50						
		Med-High**	1895	35	1830	36	1765	38	1685	40	1610	41	1525	44	1435	46	1330	50	1250	56						
		Med-Low	1345	50	1295	51	1250	53	1200	56	1155	58	1100	61	1035	64	950	70	870	77						
		Low	1190	56	1155	58	1115	60	1075	62	1040	64	980	68	940	71	870	77								
SA090()-35C Side + Bottom or 2 Sides	90,000	High*	2040	33	1955	34	1880	35	1795	37	1705	39	1620	41	1525	44	1425	47	1345	50						
		Med-High**	1910	35	1850	36	1780	37	1700	39	1625	41	1540	43	1450	46	1345	50	1260	56						
		Med-Low	1355	49	1310	51	1260	53	1215	55	1165	57	1115	60	1050	63	960	69	880	75						
		Low	1205	55	1165	57	1125	59	1085	61	1050	63	1000	67	950	70	875	76								
SA108()-35C Bottom Return	108,000	High*	2205	36	2150	37	2095	38	2030	39	1970	41	1900	42	1830	44	1740	46	1660	50						
		Med-High**	2050	39	1995	40	1955	41	1895	42	1840	43	1775	45	1700	47	1610	50	1530	56						
		Med-Low	1700	47	1680	48	1645	49	1610	50	1565	51	1525	52	1460	55	1375	58	1290	64						
		Low	1390	58	1370	58	1355	59	1320	61	1300	62	1270	63	1225	65	1175	68								
SA108()-35C Side Return	108,000	High*	2295	35	2235	36	2180	37	2110	38	2050	39	1975	41	1900	42	1810	44	1730	48						
		Med-High**	2130	38	2075	39	2035	39	1970	41	1915	42	1845	43	1765	45	1675	48	1590	54						
		Med-Low	1770	45	1750	46	1710	47	1675	48	1630	49	1585	50	1520	53	1430	56	1350	62						
		Low	1445	55	1425	56	1410	57	1375	58	1350	59	1320	61	1275	63	1225	65								
SA108()-35C Side + Bottom or 2 Sides	108,000	High*	2315	35	2260	35	2200	36	2130	38	2070	39	1995	40	1925	42	1825	44	1745	48						
		Med-High**	2155	37	2095	38	2055	39	1990	40	1930	41	1865	43	1785	45	1690	47	1610	53						
		Med-Low	1785	45	1765	45	1725	46	1690	47	1645	49	1600	50	1535	52	1445	55	1365	61						
		Low	1460	55	1440	56	1425	56	1385	58	1365	59	1335	60	1285	62	1235	65								
SA126()-45D Bottom only or 2 openings	126,000	High*	2255	41	2200	42	2125	44	2065	45	2010	46	1935	48	1855	50	1755	53	1675	56						
		Med-High**	2075	45	2025	46	1970	47	1940	48	1875	50	1810	52	1750	53	1680	56	1600	62						
		Med-Low	1720	54	1695	55	1655	56	1630	57	1580	59	1520	61	1455	64	1390	67	1310	73						
		Low	1360	69	1375	68	1365	68	1315	71	1310	71	1300	72	1260	74	1230	76								
SA126()-45D Side Return	126,000	High*	2230	42	2180	43	2105	44	2045	46	1990	47	1915	49	1835	51	1740	54	1660	58						
		Med-High**	2055	45	2005	47	1950	48	1920	49	1855	50	1790	52	1735	54	1665	58	1585	64						
		Med-Low	1705	55	1680	56	1640	57	1615	58	1565	60	1505	62	1440	65	1375	68	1295	74						
		Low	1345	69	1360	69	1350	69	1300	72	1230	76	1230	72	1250	75	1220	77								

NOTES:

1. Two openings are recommended for airflows above 1600 CFM if filter(s) is(are) adjacent to furnace.
2. Temperature rises in the table are approximate. Actual temperature rises may vary.
3. Temperature rises shaded in gray are for reference only. These conditions are not recommended.

() Can be C or N

* Factory Set Cooling Speed

** Factory Set Heating Speed

BLOWER PERFORMANCE - KG7SK

Model Number	Heating Input (Btuh)	Motor Speed	External Static Pressure (Inches Water Column)																	
			0.1		0.2		0.3		0.4		0.5		0.6		0.7		0.8			
			CFM	Rise	CFM	Rise	CFM	Rise	CFM	Rise	CFM	Rise	CFM	Rise	CFM	Rise	CFM	Rise		
SK054()-23A	54,000	High*	1375	29	1340	30	1300	31	1270	31	1225	33	1175	34	1115	36	1035	39		
		Med-High	1155	35	1130	35	1110	36	1085	37	1055	38	1015	39	975	41	910	44		
		Med-Low**	790	51	775	52	765	52	750	53	730	55	700	57	665	60	610	66		
		Low	650	62	640	63	630	63	610	66	590	68	565	71	530	75	480	83		
SK072()-24B	72,000	High*	1610	33	1590	34	1575	34	1560	34	1540	35	1495	36	1460	37	1415	38		
		Med-High	1295	41	1275	42	1260	42	1250	43	1220	44	1195	45	1170	46	1120	48		
		Med-Low**	1155	46	1135	47	1115	48	1095	49	1065	50	1040	51	1015	53	980	54		
		Low	910	59	885	60	860	62	835	64	810	66	785	68	765	70	735	73		
SK090()-24B	90,000	High*	1675	40	1655	40	1640	41	1620	41	1590	42	1560	43	1520	44	1475	45		
		Med-High	1330	50	1315	51	1300	51	1280	52	1255	53	1230	54	1200	56	1150	58		
		Med-Low**	1180	56	1165	57	1150	58	1135	59	1115	60	1090	61	1060	63	1010	66		
		Low	940	71	925	72	900	74	880	76	850	78	825	81	795	84	760	88		
SK108()-35C	108,000	High*	2395	33	2335	34	2285	35	2230	36	2200	36	2140	37	2080	38	2000	40		
		Med-High	2190	37	2135	37	2115	38	2080	38	2030	39	1975	41	1915	42	1810	44		
		Med-Low**	1785	45	1770	45	1740	46	1725	46	1685	47	1645	49	1615	50	1565	51		
		Low	1145	70	1110	72	1070	75	1035	77	1000	80	950	84	905	88	835	96		
SK126()-45D	126,000	High*	2445	38	2395	39	2385	39	2330	40	2275	41	2225	42	2130	44	2015	46		
		Med-High	2195	43	2170	43	2140	44	2120	44	2090	45	2030	46	1975	47	1855	50		
		Med-Low**	1795	52	1780	52	1770	53	1760	53	1725	54	1690	55	1655	56	1610	58		
		Low	1480	63	1475	63	1450	64	1440	65	1440	65	1415	66	1405	66	1375	68		

() Can be C or N

* Factory Set Cooling Speed

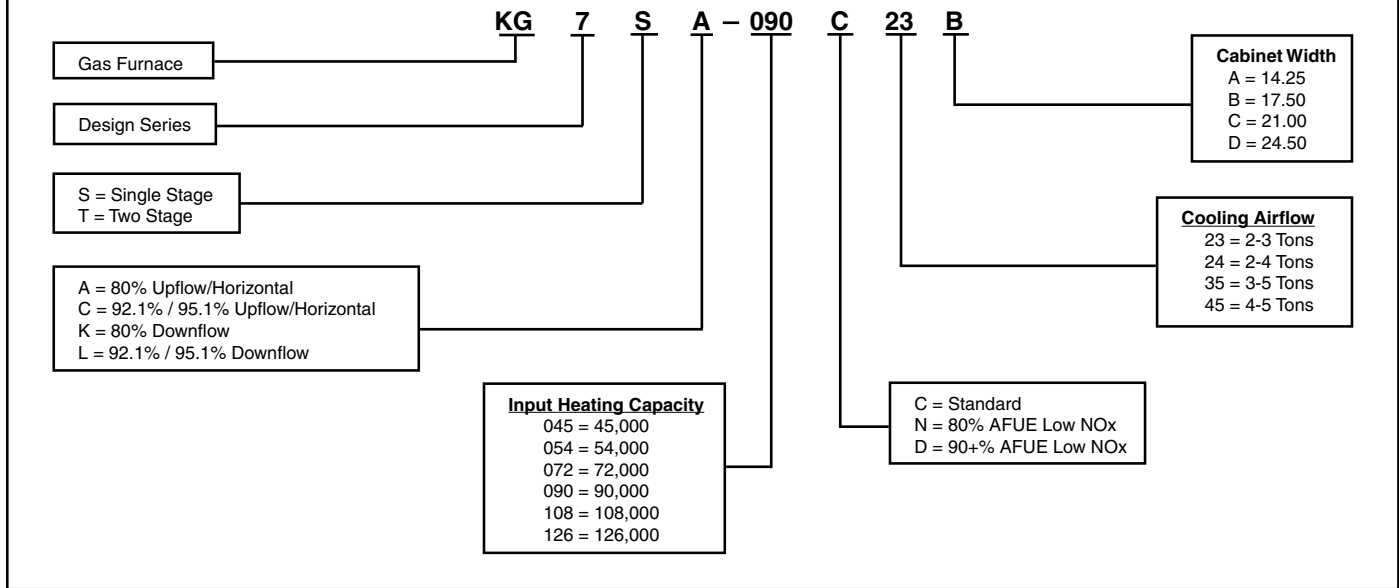
** Factory Set Heating Speed

NOTES:

1. Temperature rises in the table are approximate. Actual temperature rises may vary.

2. Temperature rises shaded in gray are for reference only. These conditions are not recommended.

MODEL IDENTIFICATION CODE



SPECIFICATIONS

KG7SA MODEL NUMBERS	-045-23A	-054-23A	-072-24B	-090-24B	-072-35C	-090-35C	-108-35C	-126-45D
Input - Btuh (a)	45,000	54,000	72,000	90,000	72,000	90,000	108,000	126,000
Heating Capacity - Btuh	36,000	43,200	57,600	72,000	57,600	72,000	86,400	100,800
AFUE	80.0	80.0	80.0	80.0	80.0	80.0	80.0	80.0
Blower D x W	10 x 6	10 x 6	11 x 8	11 x 8	10 x 10	10 x 10	11 x 10	11 x 10
Motor H.P. - Speed - Type	1/3 - 4 - PSC	1/3 - 4 - PSC	1/2 - 4 - PSC	1/2 - 4 - PSC	1/2 - 4 - PSC	1/2 - 4 - PSC	1.0 - 4 - PSC	1.0 - 4 - PSC
Motor FLA	4.80	4.80	8.20	8.20	7.50	7.50	13.75	13.75
Rated Ext. SP - In. W.C.	0.5	0.5	0.5	0.5	0.5	0.5	0.5	0.5
Temperature Rise Range - °F	30-60	30-60	35-65	35-65	35-65	35-65	40-70	40-70
Shipping Weights	100lbs	100lbs	110lbs	115lbs	115lbs	120lbs	125lbs	145lbs

KG7SK MODEL NUMBERS	-054-23A	-072-24B	-090-24B	-108-35C	-126-45D
Input - Btuh (a)	54,000	72,000	90,000	108,000	126,000
Heating Capacity - Btuh	43,200	57,600	72,000	86,400	100,800
AFUE	80.0	80.0	80.0	80.0	80.0
Blower D x W	10 x 6	11 x 8	11 x 8	11 x 10	11 x 10
Motor H.P. - Speed - Type	1/3 - 4 - PSC	1/2 - 4 - PSC	1/2 - 4 - PSC	3/4 - 4 - PSC	1.0 - 4 - PSC
Motor FLA	4.80	8.20	8.20	13.75	13.75
Rated Ext. SP - In. W.C.	0.5	0.5	0.5	0.5	0.5
Temperature Rise Range - °F	30-60	35-65	35-65	40-70	40-70
Shipping Weights	100lbs	110lbs	115lbs	125lbs	145lbs

ACCESSORIES

KG7S (A, K) KITS	
Description	SKU
"A" Cabinet fixed speed, high efficiency, FSHE	904872
"B" Cabinet fixed speed, high efficiency, FSHE	904873
"C" Cabinet fixed speed, high efficiency, FSHE	904874
"D" Cabinet fixed speed, high efficiency, FSHE	904875
"A" Cabinet variable speed, high efficiency, VSHE	904876
"B" Cabinet variable speed, high efficiency, VSHE	904877
"C" Cabinet variable speed, high efficiency, VSHE	904878
"D" Cabinet variable speed, high efficiency, VSHE	904879
"A" Cabinet downflow sub base kit	902974
"B", "C", "D" Cabinet downflow sub base kit	904911
U.S. LP Conversion kit (0 to 10,000 ft.)	904914
Canada LP Conversion kit (0 to 4,500 ft.)	904915
Bottom return filter 20 per box, "A" cabinet	903088
Bottom return filter 20 per box, "B" cabinet	904916
Bottom return filter 20 per box, "C" cabinet	904917
Bottom return filter 20 per box, "D" cabinet	904918
Side return filter kit	541036



GENERAL TERMS OF LIMITED WARRANTY

NORDYNE will furnish a replacement for any part of this product which fails in normal use and service within the first ten years of installation, in accordance with the terms of the warranty.

For complete details of the Limited Warranty, including applicable terms and conditions, see your local installer or contact the NORDYNE warranty department for a copy.

NORDYNE

COMPLETE COMFORT. GENUINE VALUE.

8000 Phoenix Parkway | O'Fallon, MO 63368-3827

Specifications and illustrations subject to change without notice and without incurring obligations. Printed in U.S.A (02/2011)

739C-0211 (Replaces 739C-0608)

www.nordyne.com

© NORDYNE. All Rights Reserved.